



City of Brockton

Procurement Department

ROBERT F. SULLIVAN
MAYOR

MICHAEL C. MORRIS, MBA
CHIEF PROCUREMENT OFFICER

ADDENDUM #6

To: All Interested Parties

From: Michael Morris, Chief Procurement Officer

Subj: Addendum #6 to **BPA-RFQ23-ISLAND (CONSTRUCTION OF A CONCRETE ISLAND AT MAYOR BILL CARPENTER PARKING GARAGE)**

Date: September 25, 2023

Total Pages: 4

The attention to bidders submitting proposals for the above project is called to the following addendum that contains responses to all questions submitted by the prospective bidders. The items set forth herein, whether of omission, addition, substitution or clarifications are all to be included in and form part of the proposal submitted. This addendum shall take precedence or provide clarification.

All questions are sorted numerically as received from bidders and the response provided follows directly after each question submitted.

CLARIFICATIONS/REVISIONS

Please note the modified drawings attached which show proper orientation within and dimensions for the island reflective of the existing location of castings for the oil/water separator and drain cleanouts.

QUESTIONS/ANSWERS

1. Can the Island be precast using MassDOT approved mix design?

Answer: The island may NOT be precast. The dimensions of the island are non-standard and the island is intended to secure and anchor the PARCS equipment to the larger facility. We (DESMAN) are unable to see the benefit of going forward with precast construction for the island, given its non-standard dimensions, and would have significant reservations regarding the contractor's ability to anchor the island in place and retain its fixed security and durability comparable to cast-in-place construction. We have no objections to the use of the MassDOT-approved mix provided it aligns and complies with the standards including Sections 03300, 03200, and 03240 of the specification as provided.

"City of Champions"

2. Are the casting [for the drain clean] and box [for the water/oil separator] to be raised or boxed out?

Answer: As shown on the attached amended drawings, the castings for both the drain clean-out and water/oil separator are to be essentially 'boxed out' where in the island will be poured around these obstructions and the island are located in the lane in such a manner that neither casting will be occluded by the island.

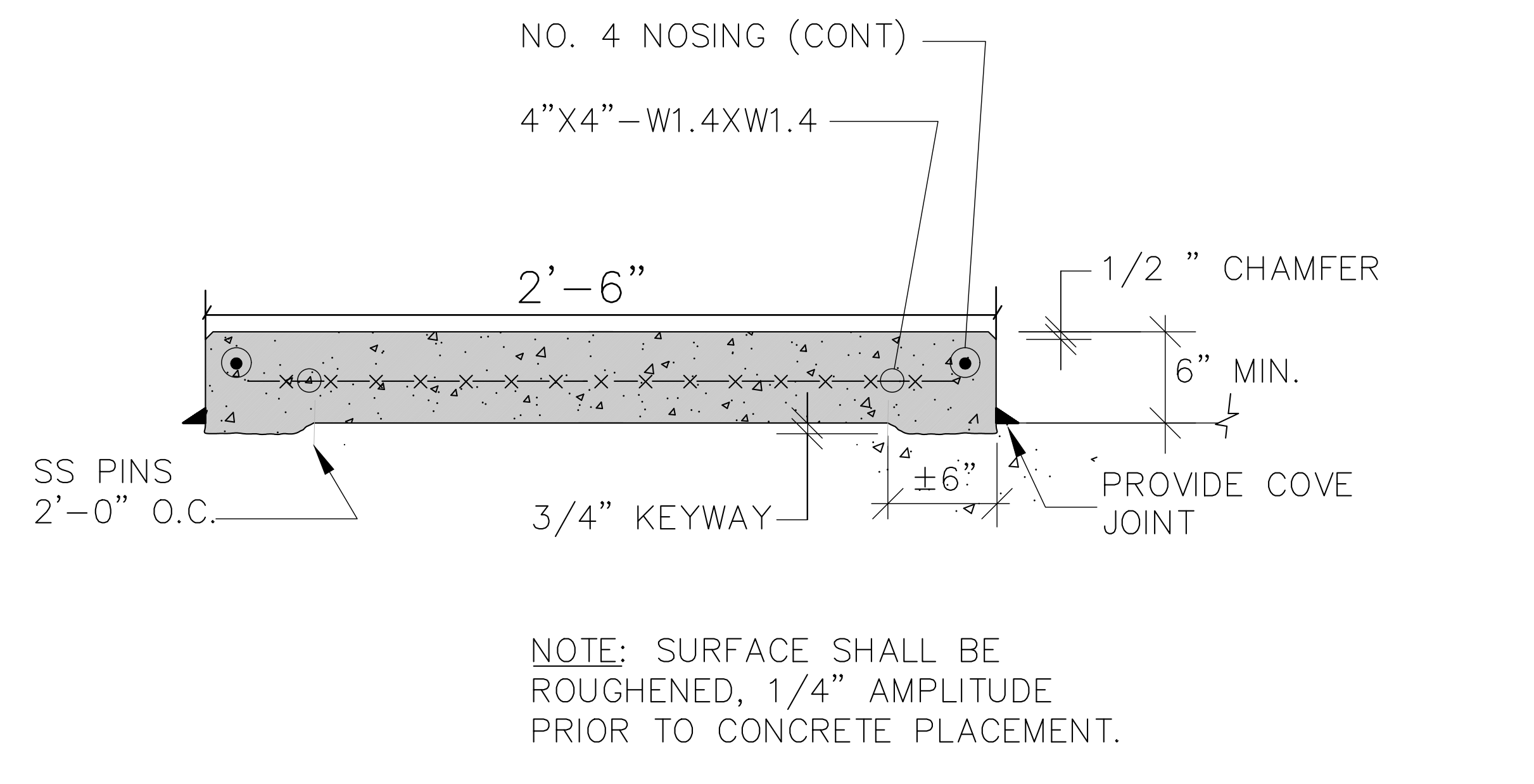
3. If the casting and box are to be raised, can detail be provided?

Answer: The castings will be "boxed out" as described above, not raised.

"City of Champions"

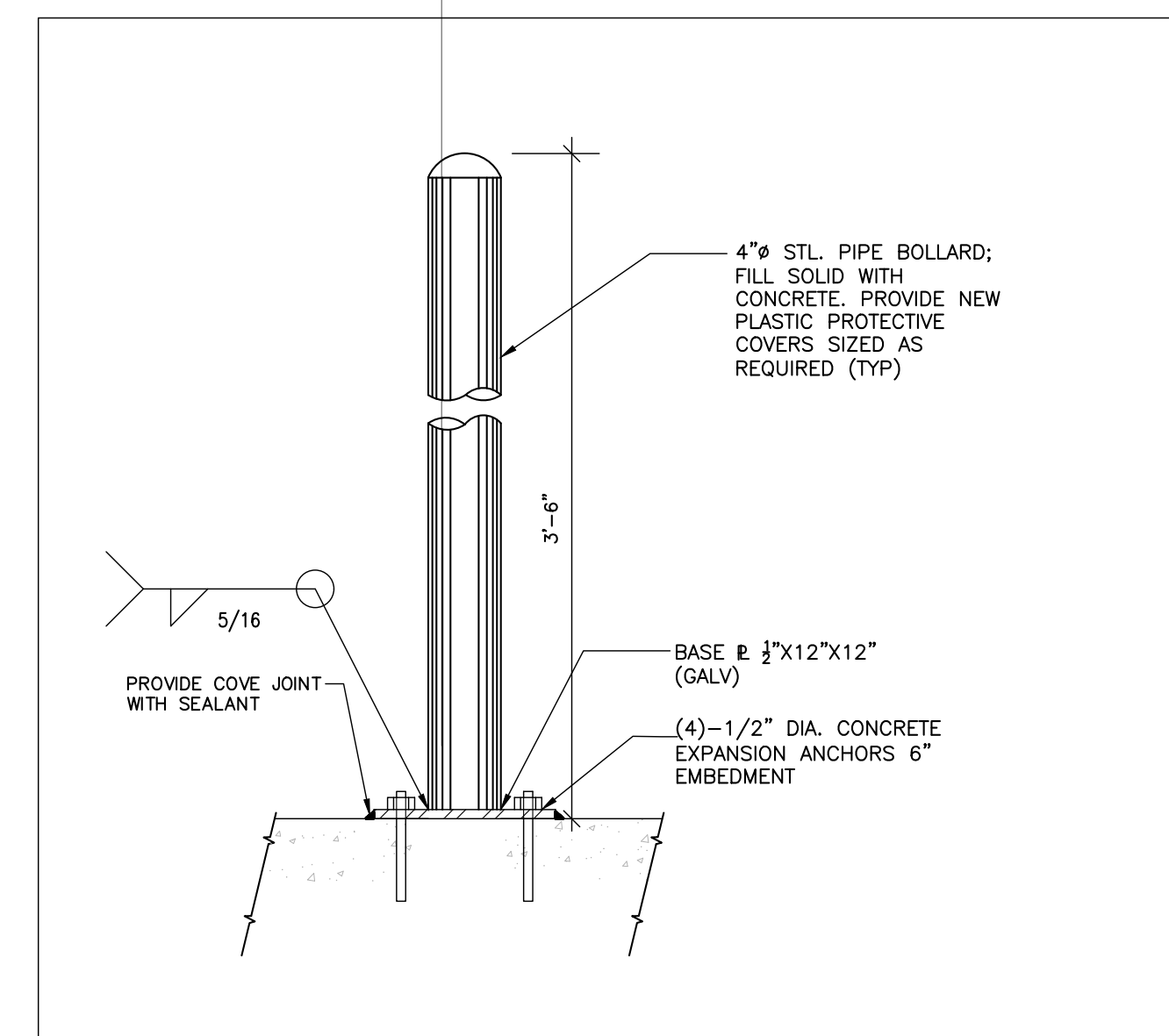
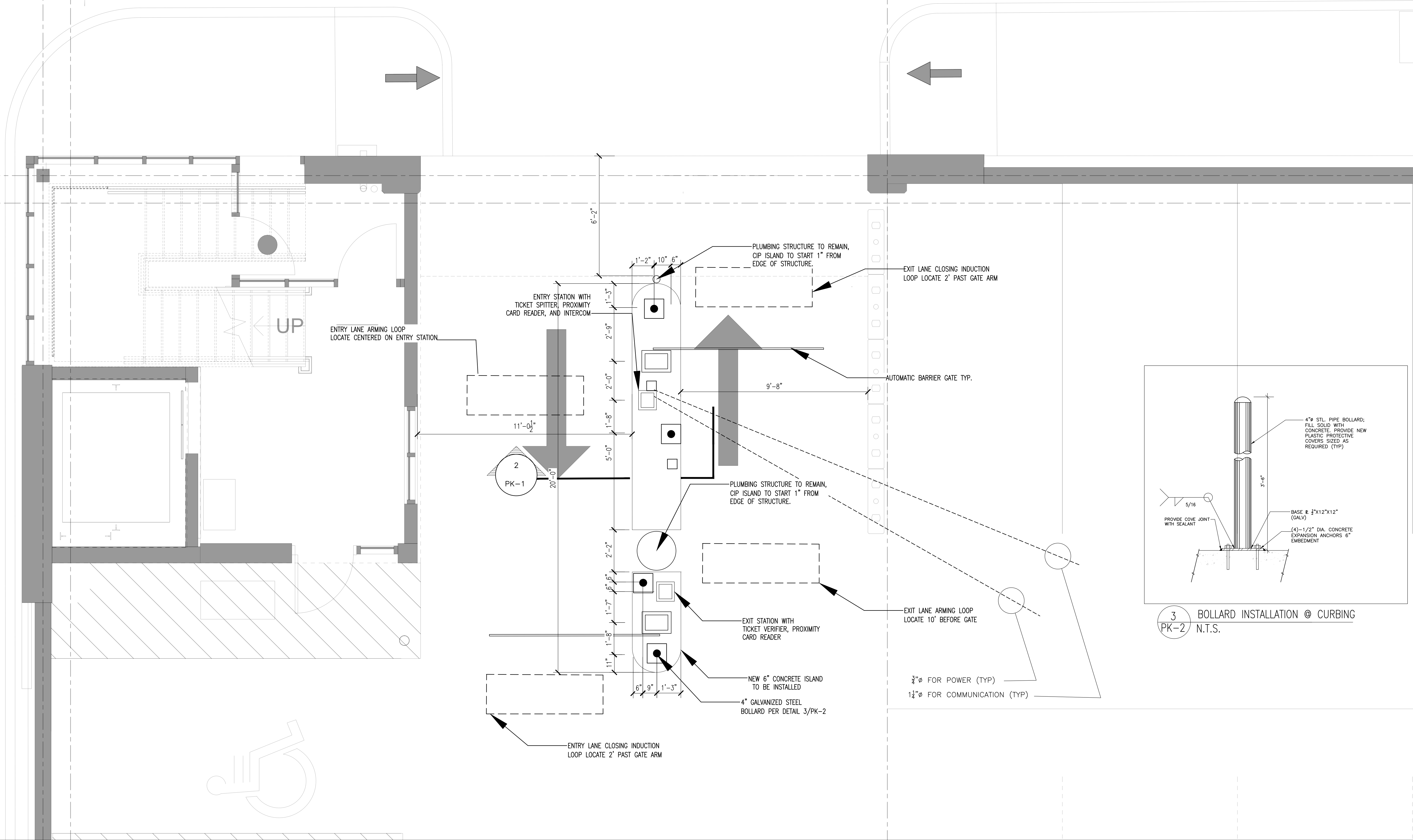
0.9 1

2



2 C.I.P. CURB INSTALLATION
PK-2 N.T.S.

A 0.A



3 BOLLARD INSTALLATION @ CURBING
PK-2 N.T.S.

Copyright © 2023 DESMAN, Inc. All rights reserved. No part of these documents may be reproduced in any form or by any means without written permission from DESMAN, Inc.

NO.	DATE	DESCRIPTION

DRAWING TITLE:
PARCS Entry Plan & Details

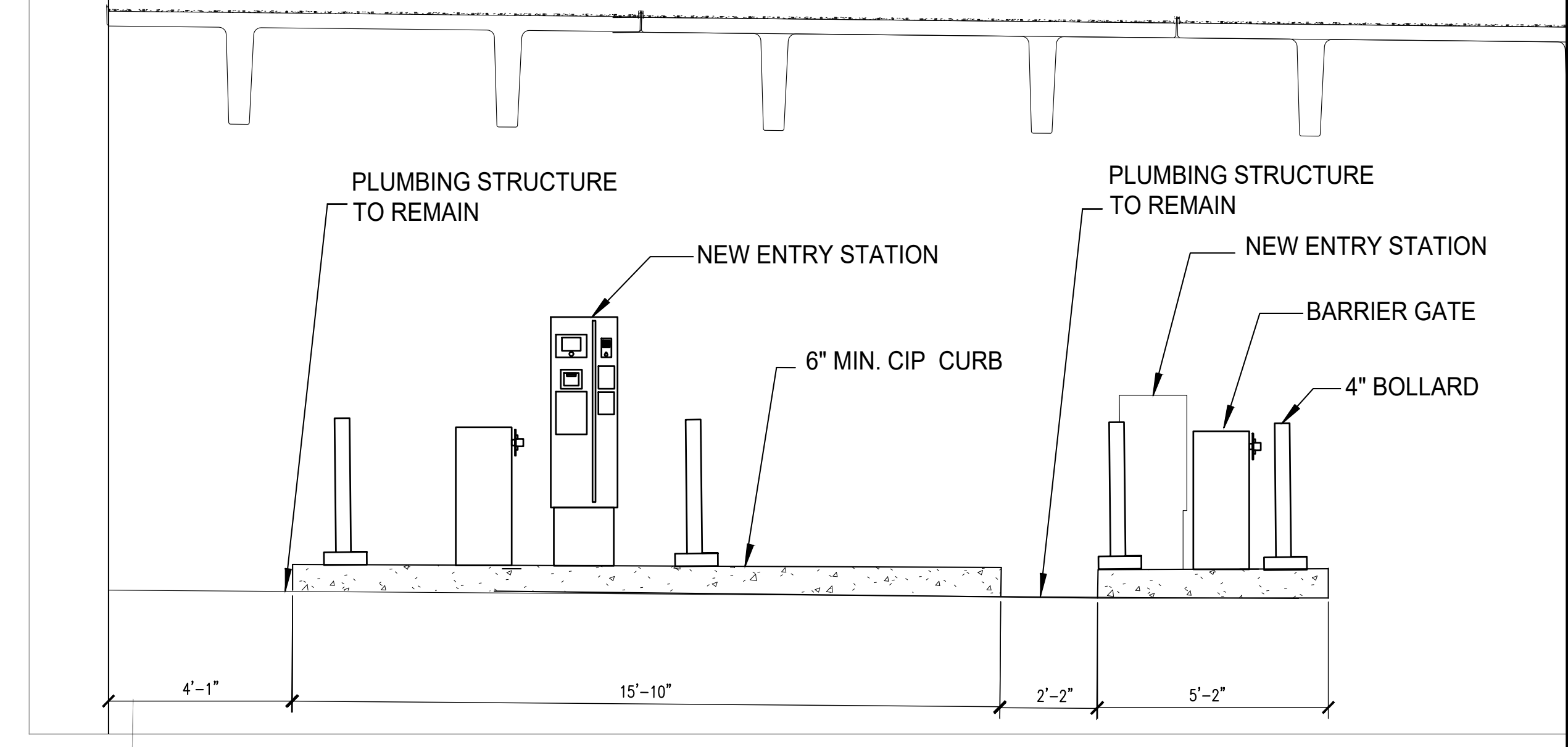
DRAWING NO.
PK-1

SCALE: 1/2"=1'-0"
DATE: 07/17/2023
PROJECT NO:20-22119-3
DES. DRWN. CHK'D.
AH TF AH

0.9 1

2

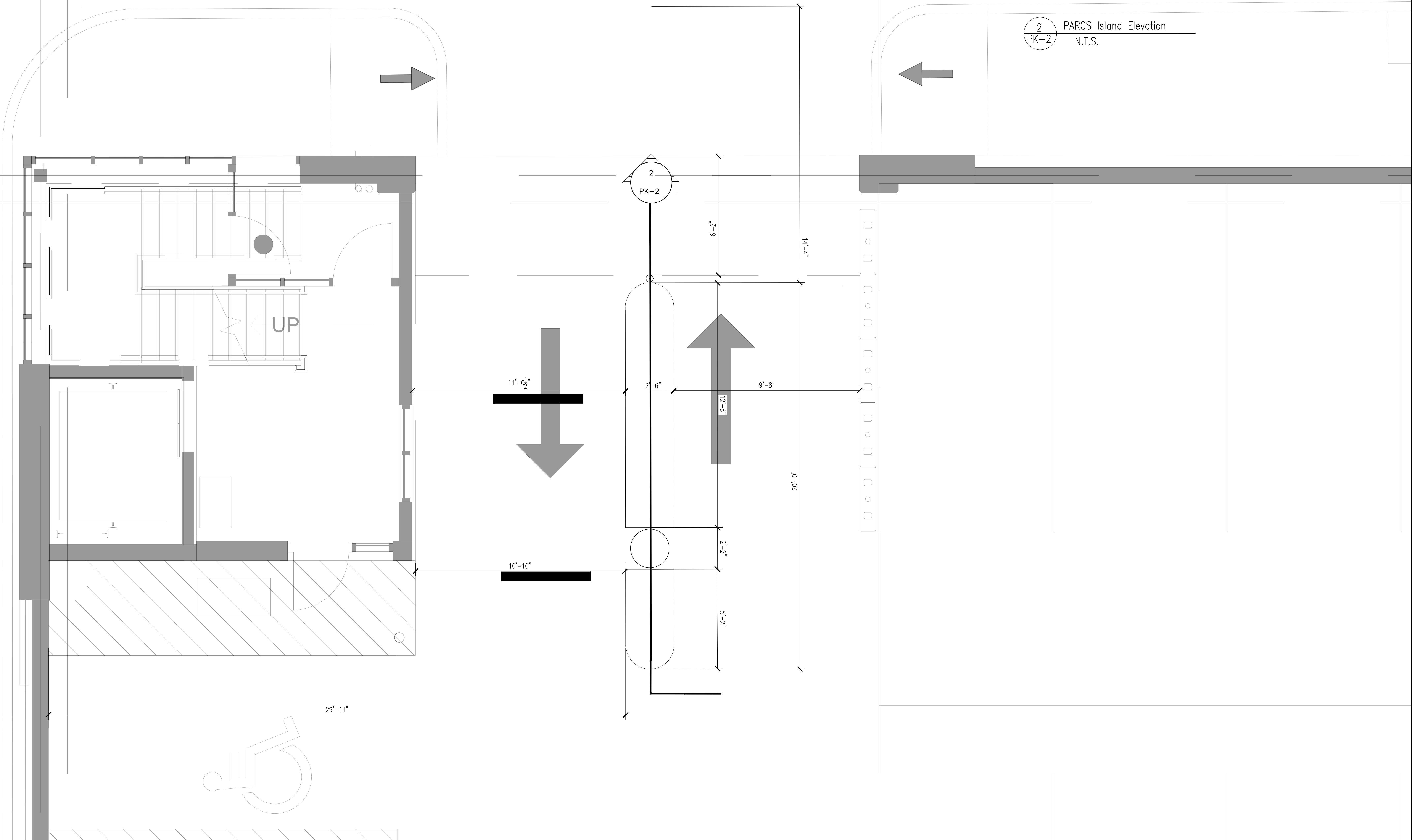
A



2 PARCS Island Elevation
PK-2 N.T.S.

A 0.A

2
PK-2



Copyright © 2023 DESMAN, Inc. All rights reserved. No Part of these documents may be reproduced in any form or by any means without written permission from DESMAN, Inc.

NO.	DATE	DESCRIPTION

DRAWING TITLE:
PARCS Island Location
Plan & Detail

DRAWING NO.
PK-2

SCALE: 1/2"=1'-0"
DATE: 07/17/2023
PROJECT NO:20-22119-3
DES. AH DRWN. TF CHK'D. AH